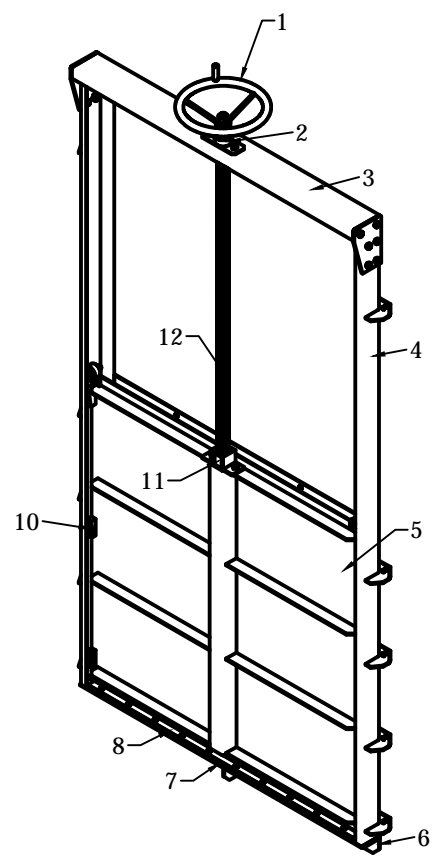
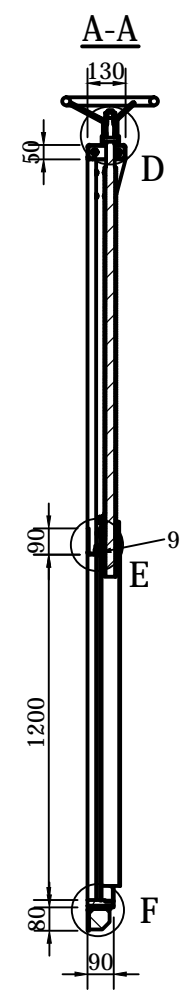
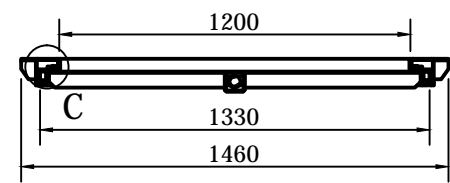


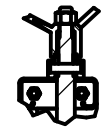
**B-B**



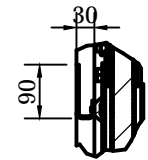
7\|h h7



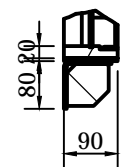
7\|h h8



7\|h h9



7\|h h:



| 6 B; ?á |     |                  |                      |
|---------|-----|------------------|----------------------|
| STT     | S.L | HãB'7<=H= H      | Aê'H                 |
| 1       | 1   | Tay quay         | SUS304               |
| 2       | 1   | ; ]V             | 6205                 |
| 3       | 1   | ?\i b[ ' b\`j Ub | GI G S( 'X\ m) "Sa a |
| 4       | 1   | Khung van        | GI G S( 'X\ m) "Sa a |
| 5       | 1   | A hj Ub          | GI G S( 'X\ m) "Sa a |
| 6       | 1   | ?\i b[ ' zmj Ub  | GI G S( 'X\ m) "Sa a |
| 7       | 1   | ; ]c b[ 'Xzm     | NPR                  |
| 8       | 1   | @ d' { 'W' b\    | GI G S( 'X\ m) "Sa a |
| 9       | 3   | ; ]c b[ 'W 'J    | NPR                  |
| 10      | 12  | B.a              | SUS304               |
| 11      | 1   | i 'fyb           | b[                   |

| EDIT                                   |      |         |      |
|--|------|---------|------|
| 1                                      |      |         |      |
| 2                                      |      |         |      |
| NO                                     | DATE | CONTENT | SIGN |
| NOTES                                  |      |         |      |
| INVESTOR:                              |      |         |      |
| PROJECT:                               |      |         |      |
| CONTRACTOR:                            |      |         |      |
|  |      |         |      |
| WESTERNTech VIETNAM JSC                |      |         |      |
| ADD: VUONG THUA VU, THANH XUAN, HA NOI |      |         |      |
| DIRECTOR                               |      |         |      |
| MAI VAN TIEM                           |      |         |      |
| CHIEF DESIGNER                         |      |         |      |
| HOANG HAI DUYEN                        |      |         |      |
| DESIGNER                               |      |         |      |
| PHAM CAO QUAN                          |      |         |      |
| CHECKER                                |      |         |      |
| TRAN DUC MINH                          |      |         |      |
| DRAWING TITLE                          |      |         |      |
| J5B'7 5'D<5=%&S                        |      |         |      |
| Document No:                           |      |         |      |
| SCALE:                                 |      |         |      |
| DATE:                                  |      |         |      |
| DRW NO:                                |      |         |      |