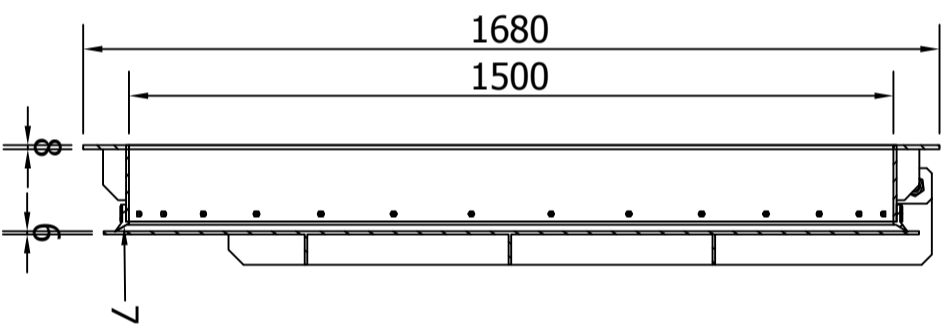
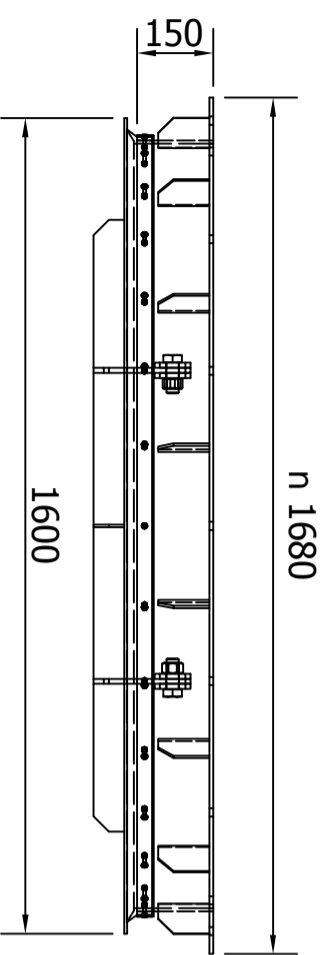
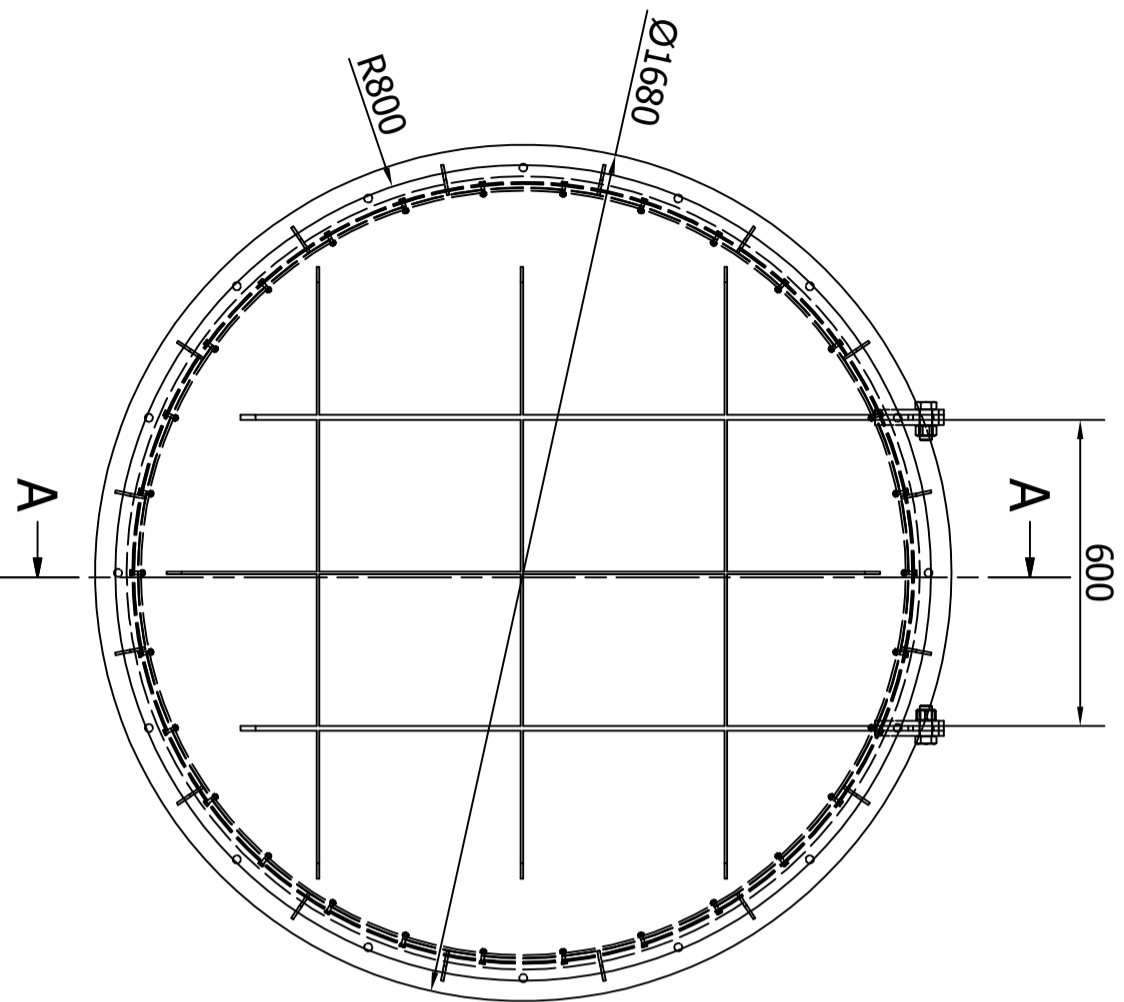
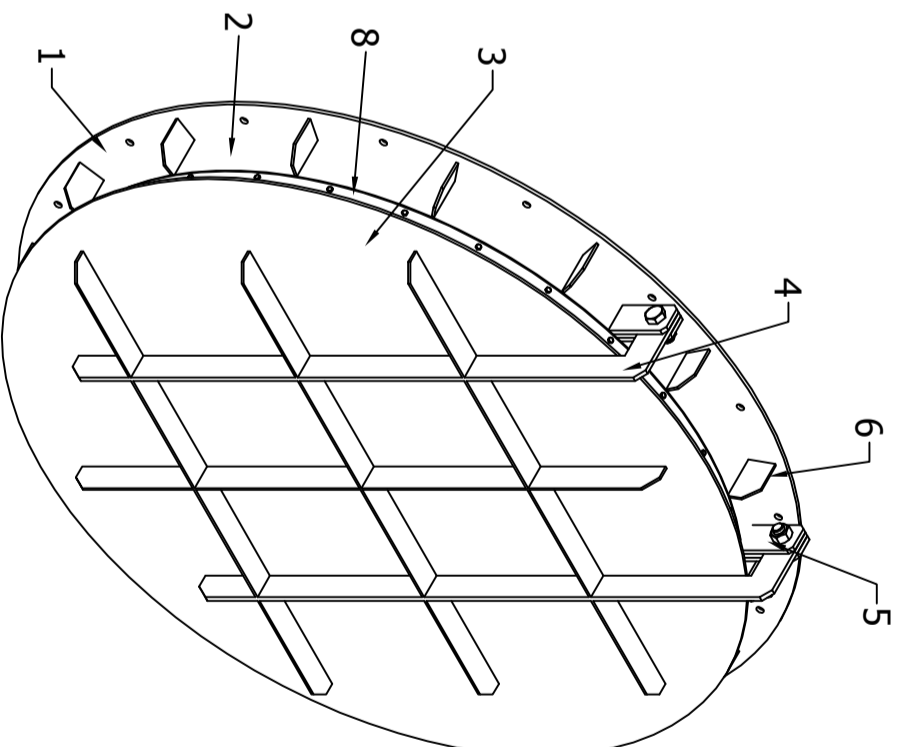


10 9 8 7 6 5 4 3 2 1



A-A



EDIT		
1		
2		
NO	DATE	CONTENT
NOTES		SIGN

INVESTOR:

PROJECT:

CONTRACTOR:

WESTERNTECH VIETNAM JSC
ADD: VUONG THUA VU, THANH XUAN, HA NOI

DIRECTOR

MAI VAN TIEM
CHIEF DESIGNER

MAI VAN TIEM
DESIGNER

NGUYEN HUY HOANG
CHECKER

DRAWING TITLE

Document No:

SCALE:

DATE:

DRW. NO.:

A B C D E F