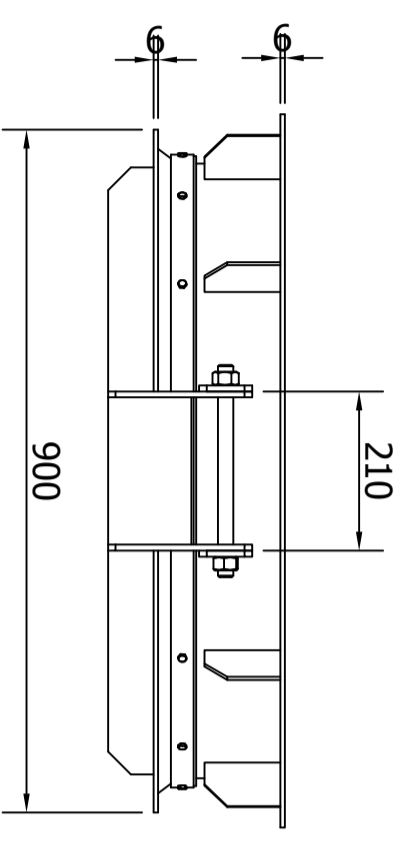
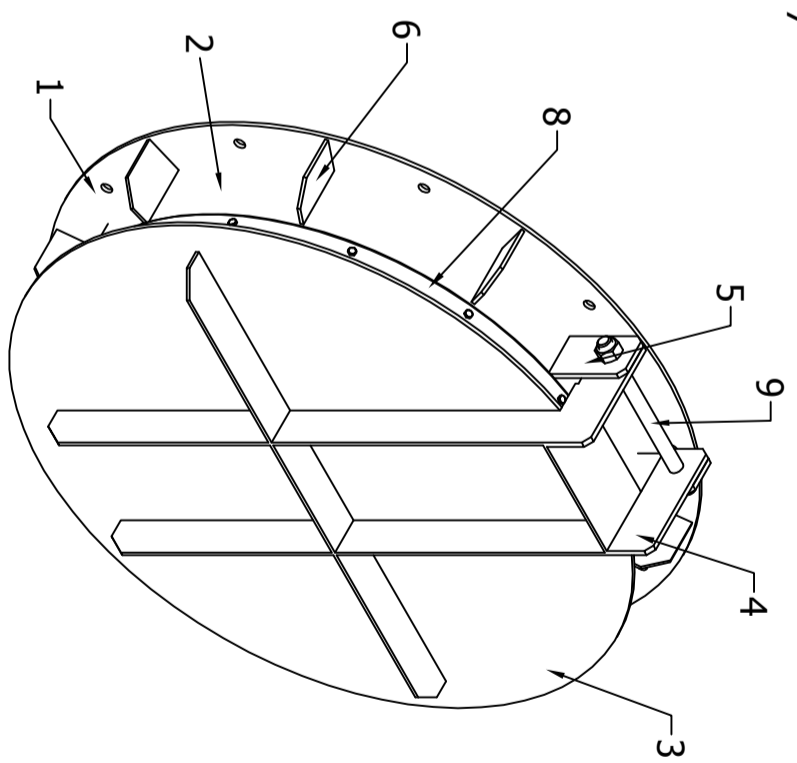
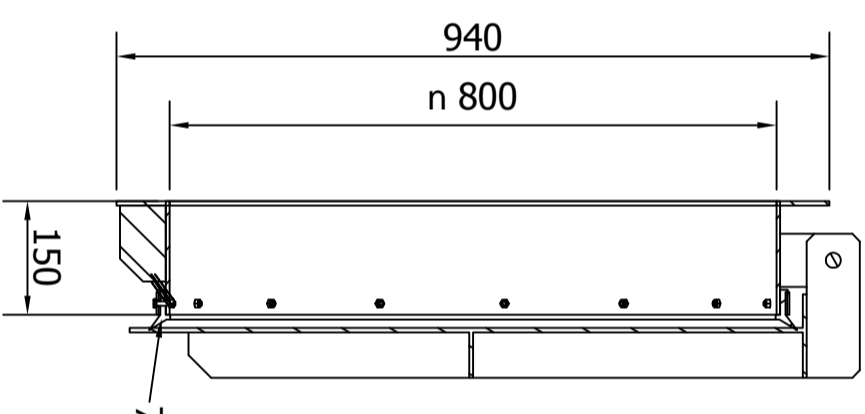
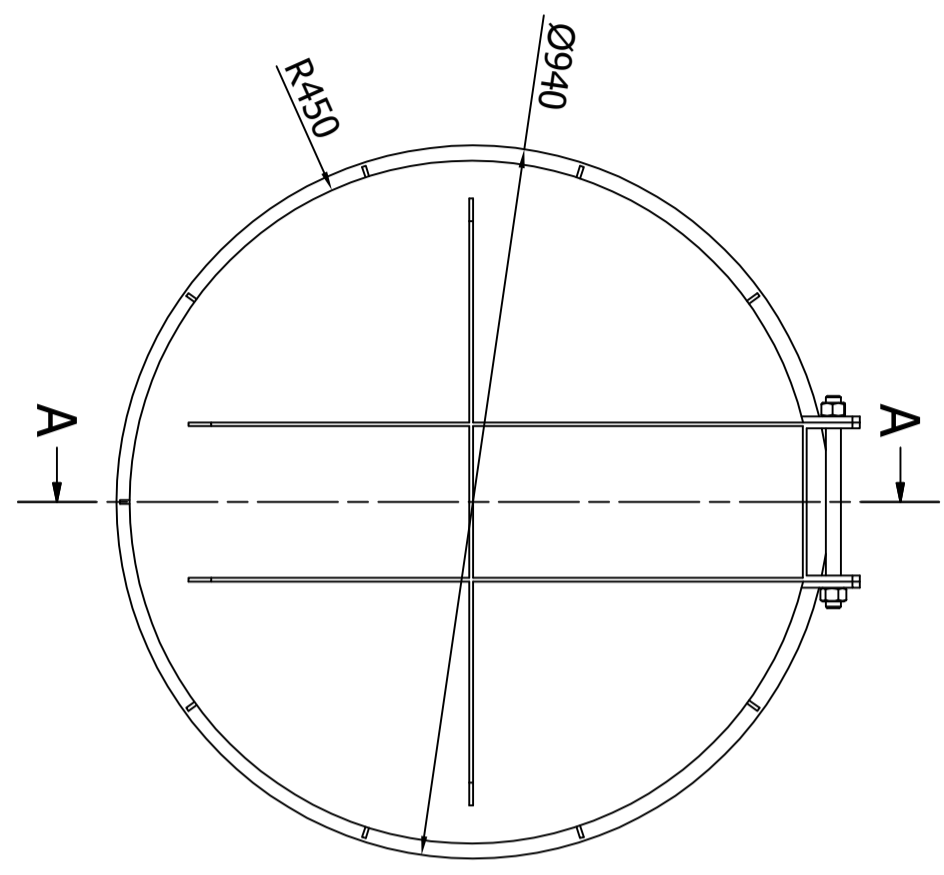


10 9 8 7 6 5 4 3 2 1

A-A



EDIT		
1		
2		
NO	DATE	CONTENT
NOTES		SIGN

INVESTOR:

PROJECT:

CONTRACTOR:

WESTERNTech VIETNAM JSC  
 ADD: VUONG THUA VU, THANH XUAN, HA NOI

MAI VAN TIEM  
 CHIEF DESIGNER

MAI VAN TIEM  
 DESIGNER

NGUYEN HUY HOANG  
 CHECKER

DRAWING TITLE

Document No:

SCALE:

DATE:

DRW NO:

A

B

C

D

E

F

A

B

C

C

E

F