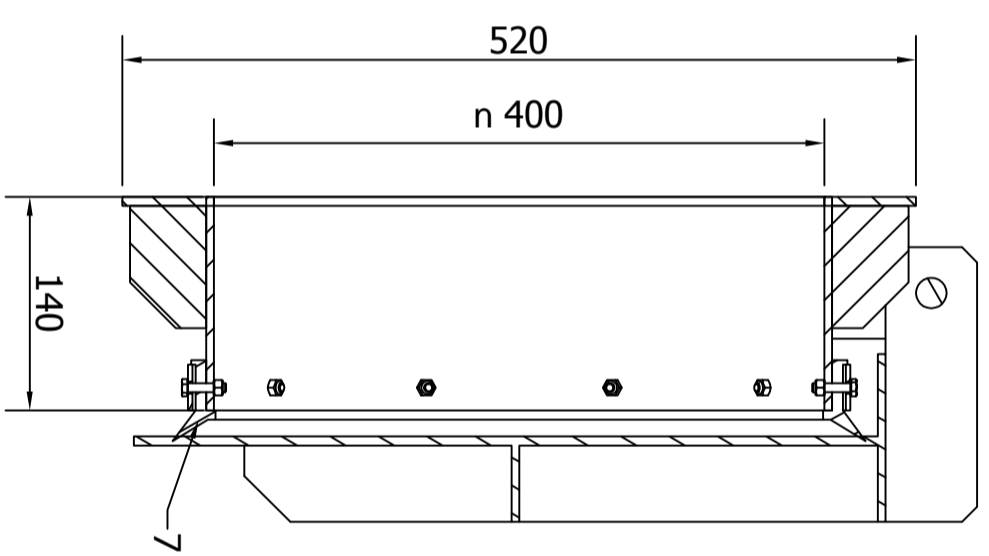
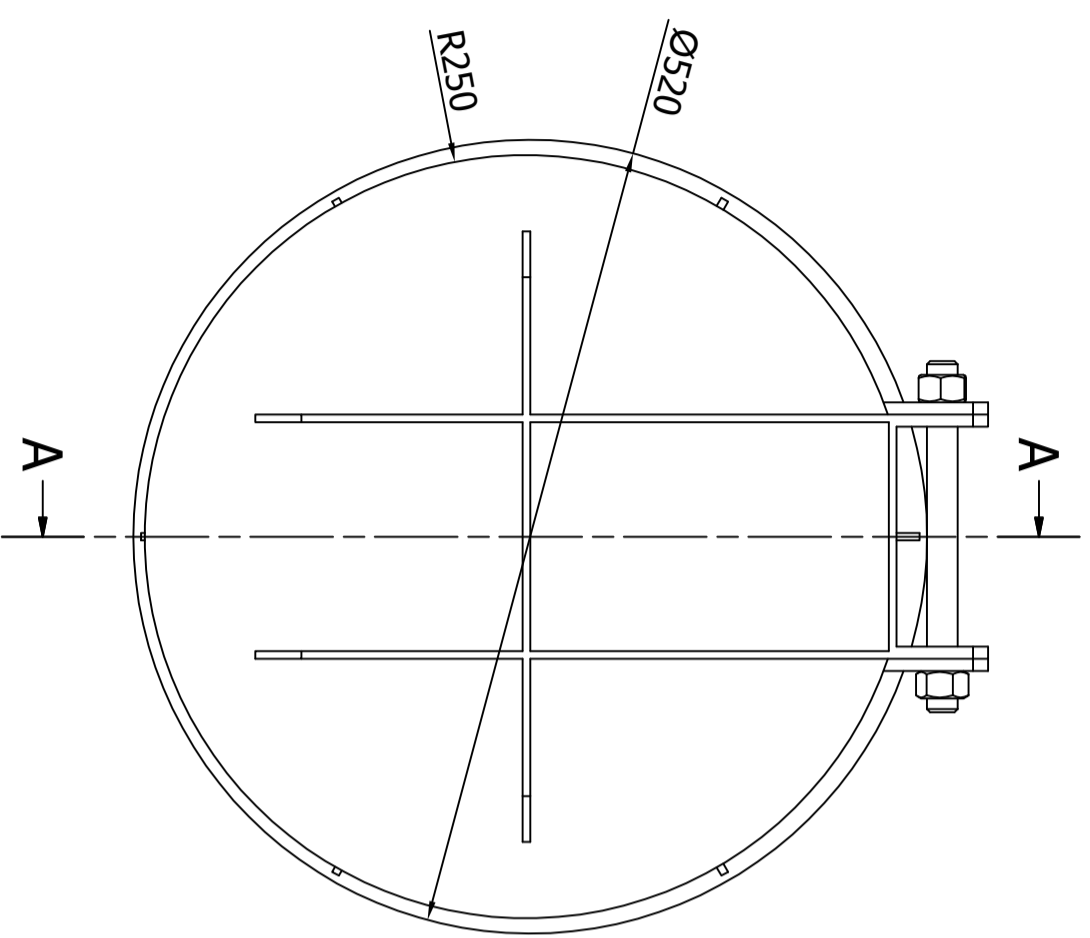
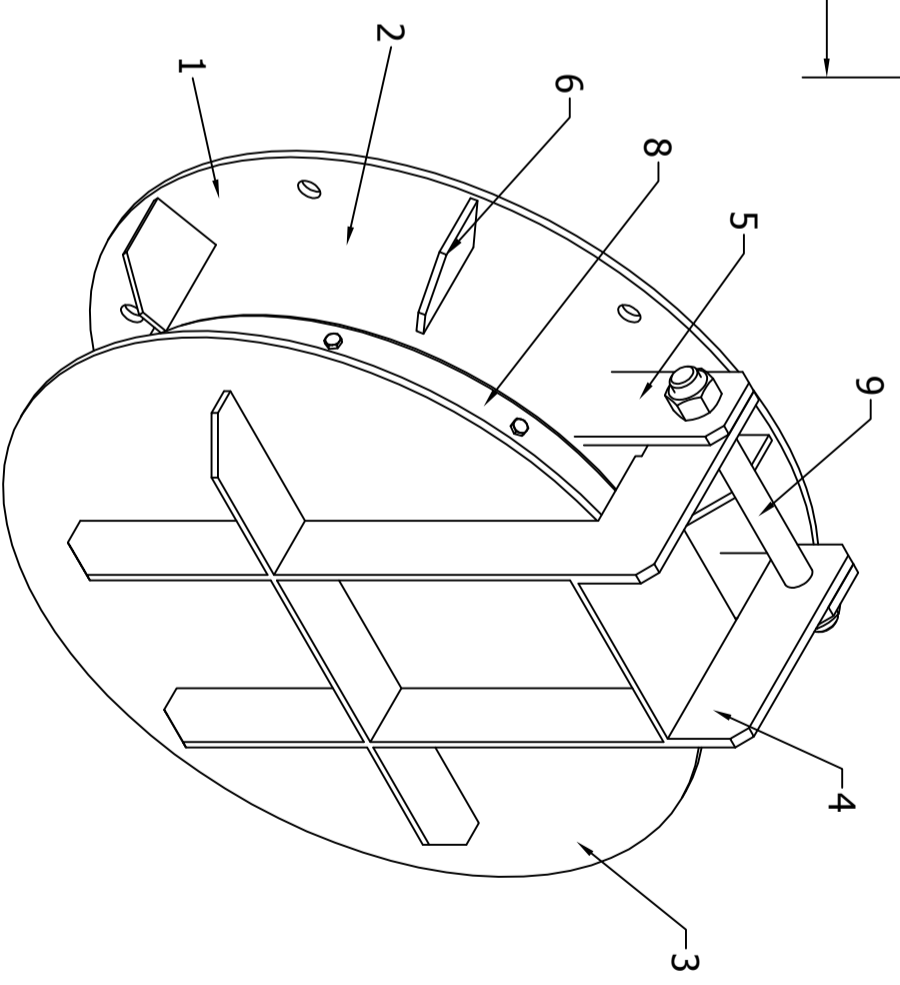
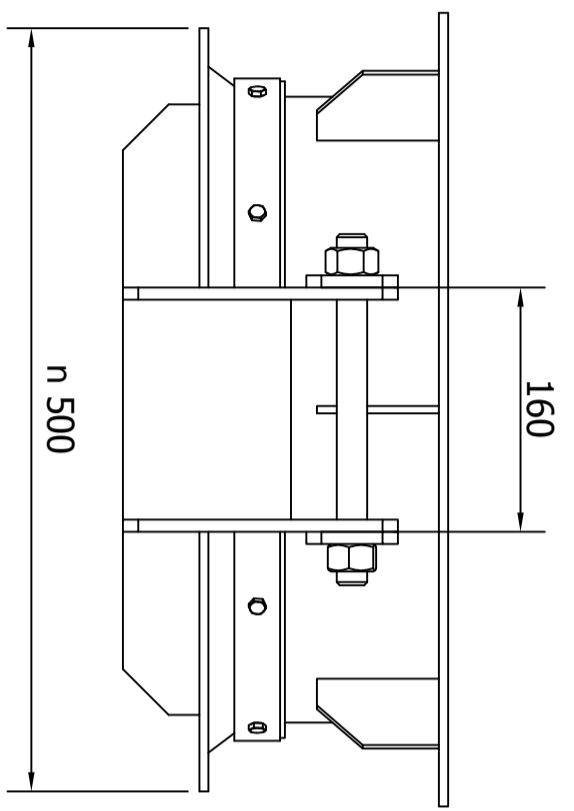


10 9 8 7 6 5 4 3 2 1



A-A



EDIT			
1			
2			
NO	DATE	CONTENT	SIGN
NOTES			

INVESTOR:

PROJECT:

CONTRACTOR:

WESTERNTech VIETNAM JSC
 ADD: VUONG THUA VU, THANH XUAN, HA NOI
 DIRECTOR

MAI VAN TIEM
 CHIEF DESIGNER

MAI VAN TIEM
 DESIGNER

NGUYEN HUY HOANG
 CHECKER

DRAWING TITLE

Document No:

SCALE:

DATE:

DRW NO:

A B C D E F