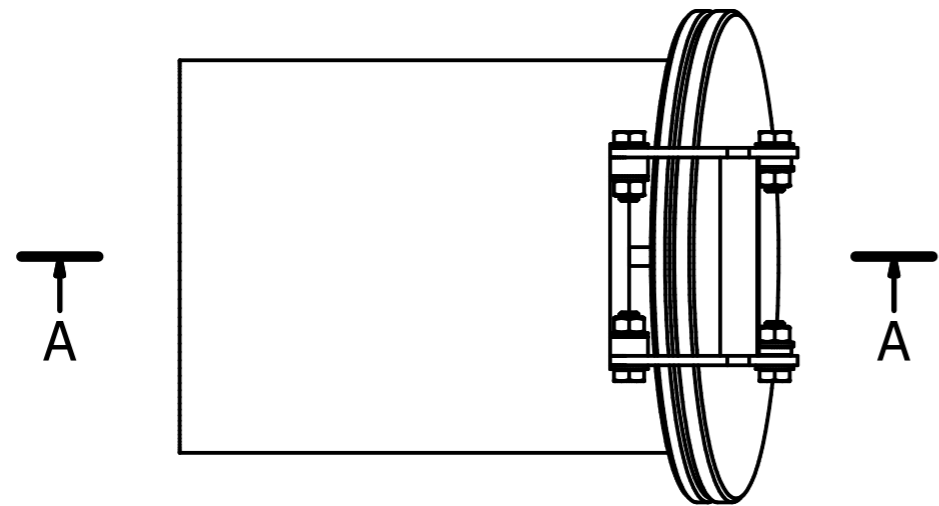
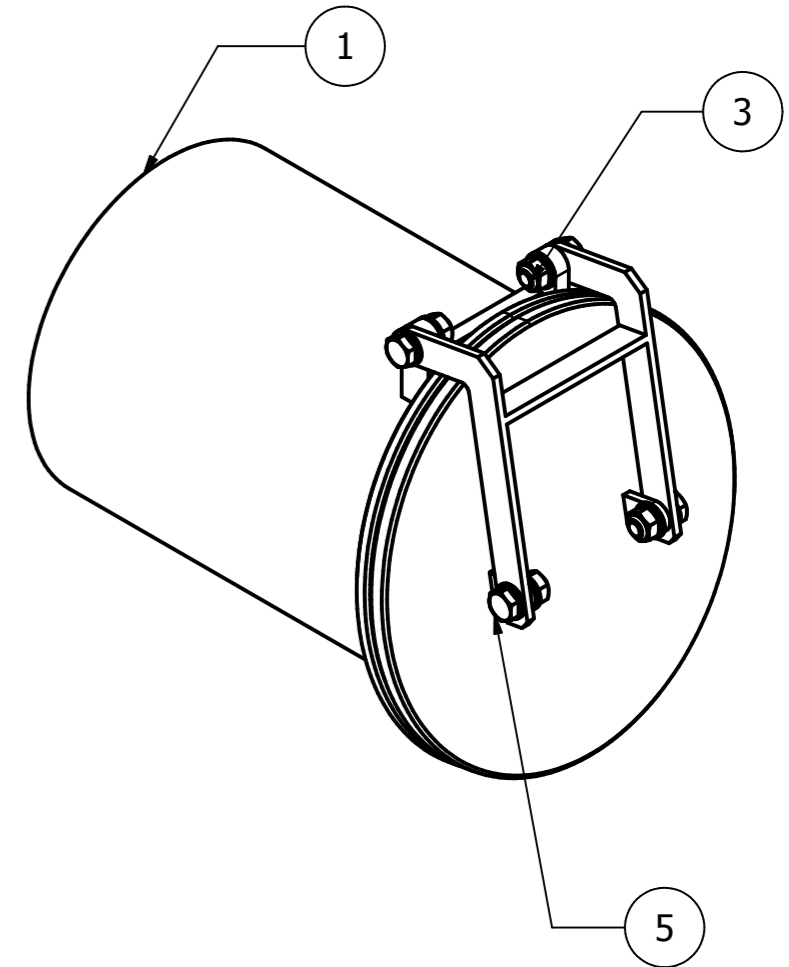
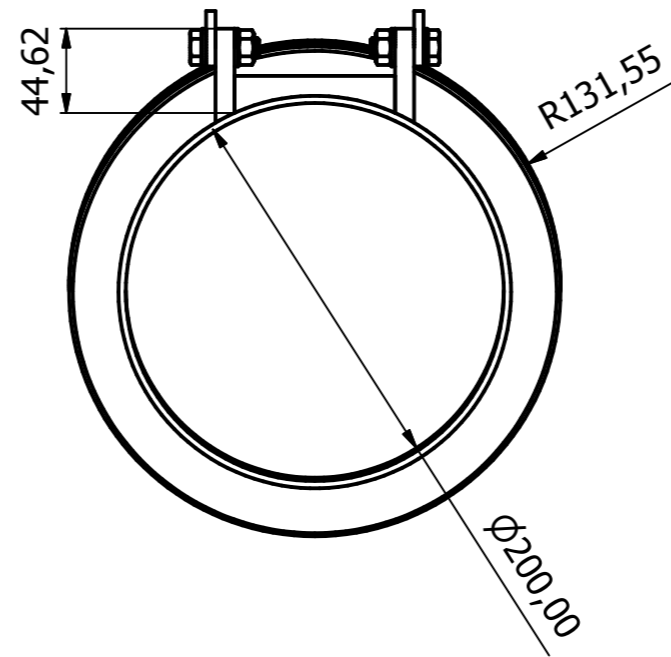
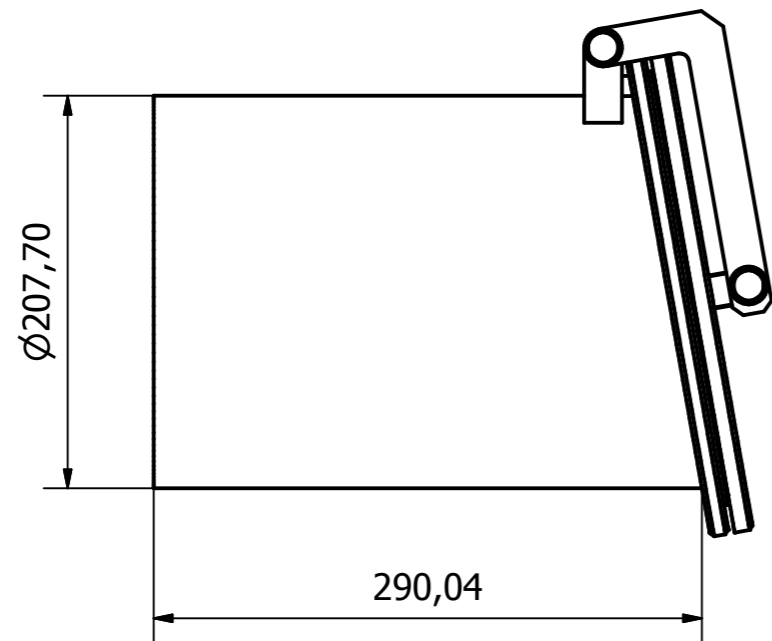
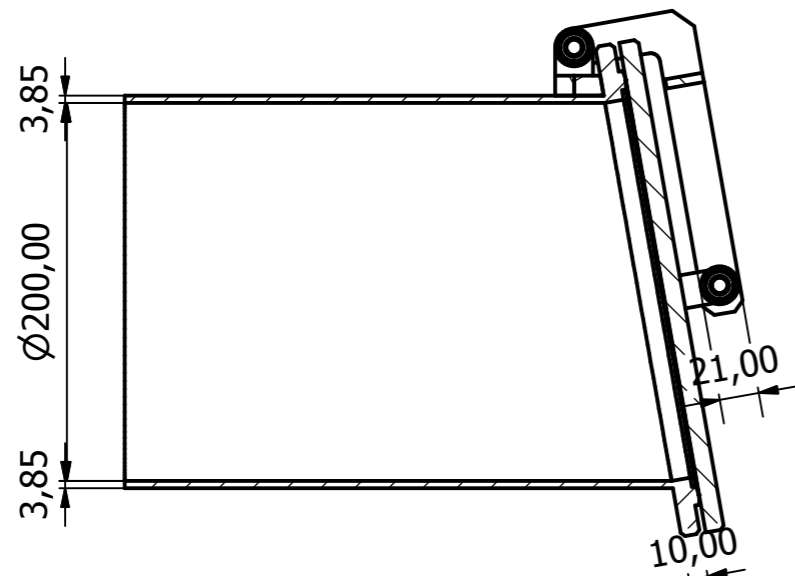


VAN CỬA LẬT DN200 - HDPE



A-A (1 : 4)



PARTS LIST			
ITEM	QTY	PART NUMBER	DESCRIPTION
1	1	Than ong	
2	8	ISO 7091 - ST 10 - 100 HV	Plain washers - Normal series - Product grade C
3	2	ISO 4017 - M10 x 30	Hexagon head screws
4	4	ISO 4032 - M10	Hexagon nuts, style 1 - Product grades A and B
5	2	ISO 4017 - M10 x 25	Hexagon head screws
Designed by admin		Checked by	Approved by
		Date	Date 6/26/2018
WESTERNTech VIETNAM			Flap Vavle DN200 HDPE
			Edition
			Sheet 1 / 1