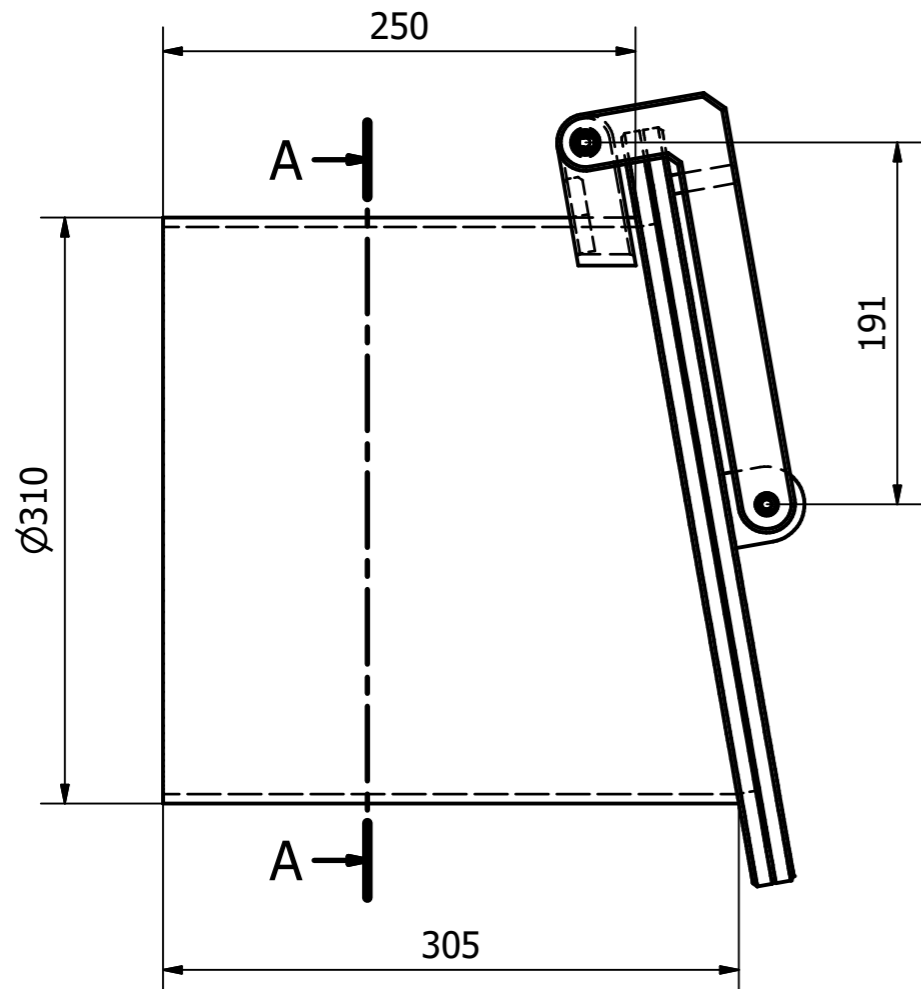
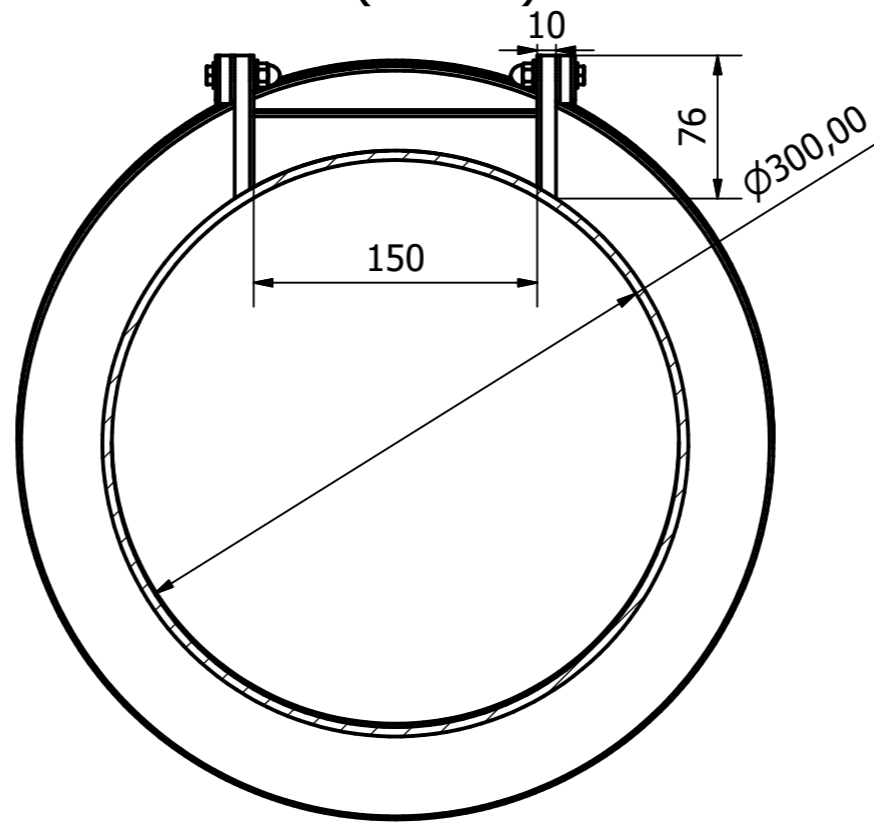


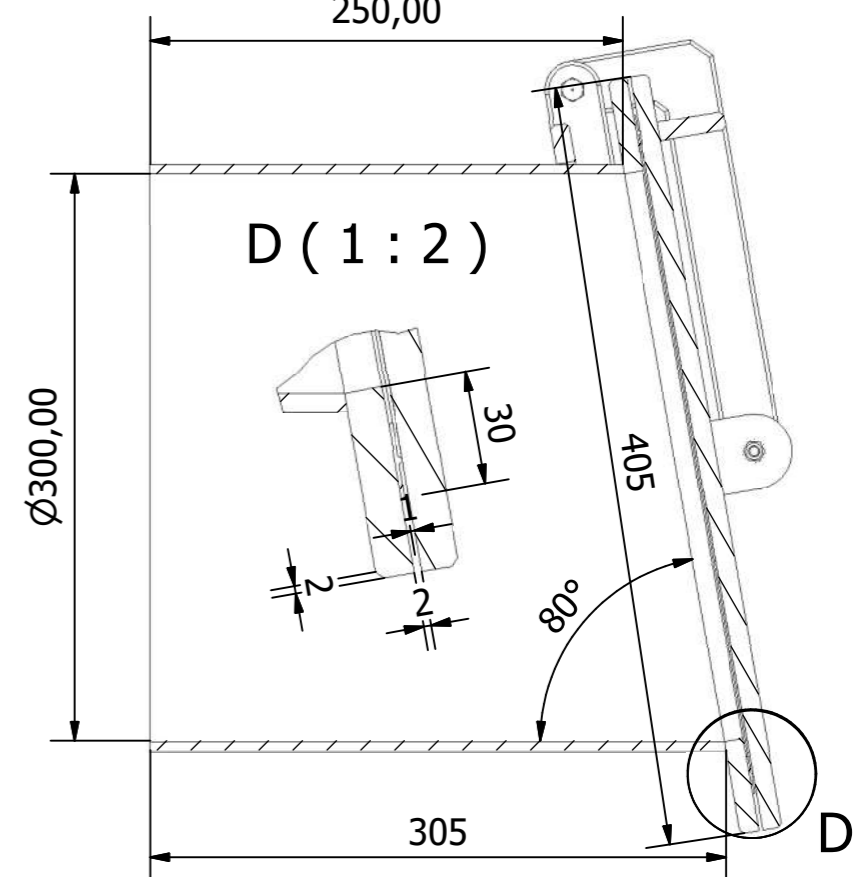
MẶT ĐỨNG



A-A (1:4)

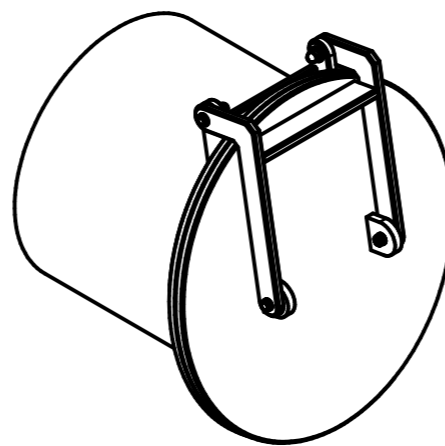
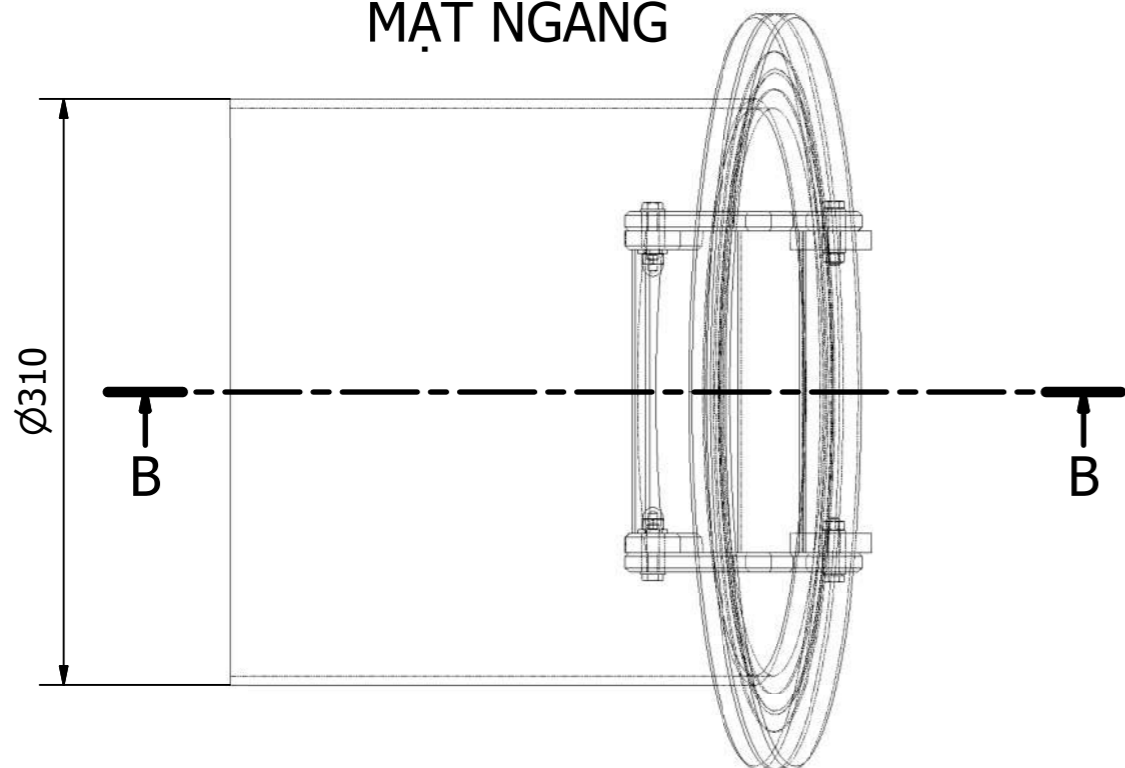


B-B (1:4)



D (1:2)

MẶT NGANG

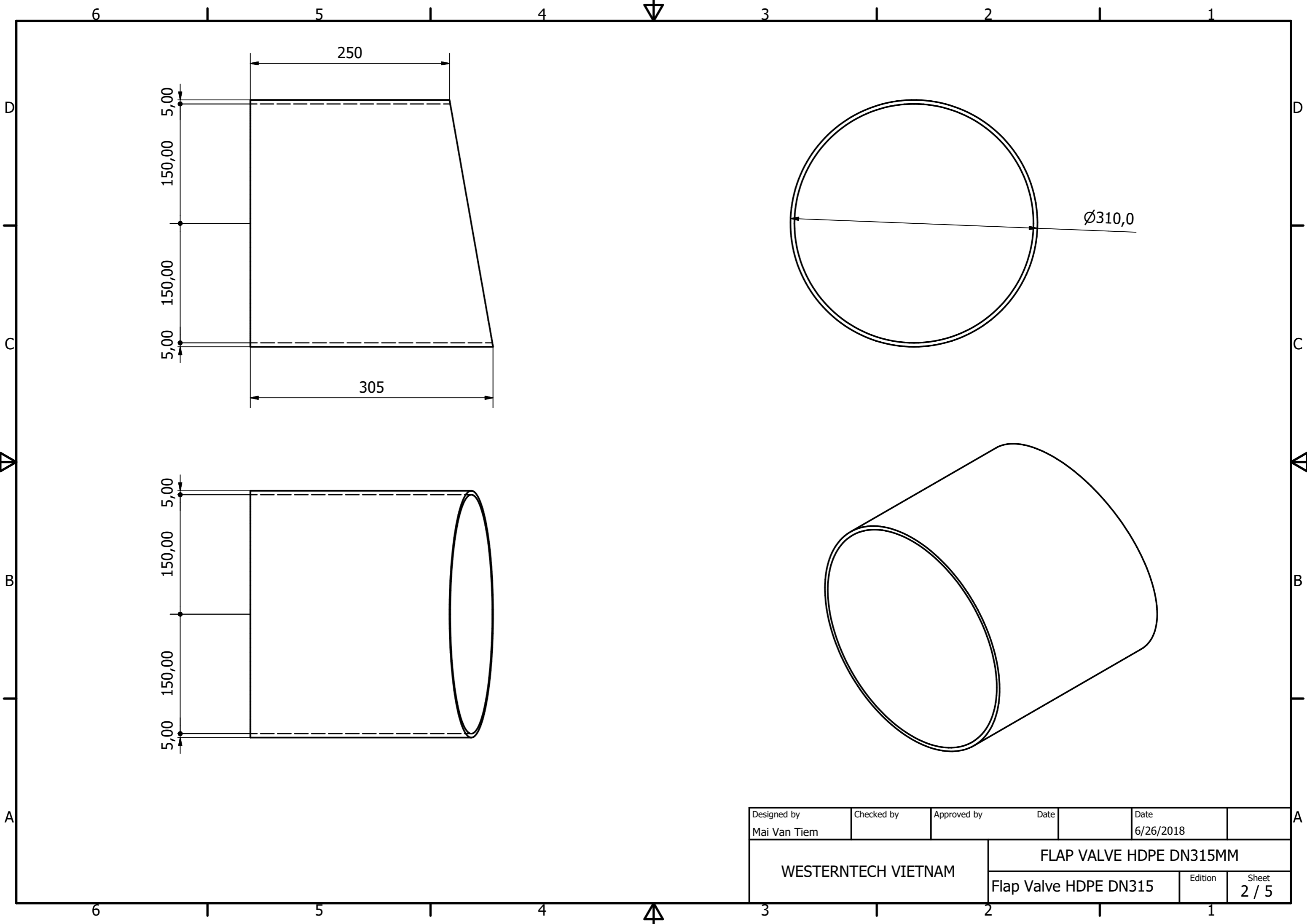


HÌNH PHỐI CẢNH

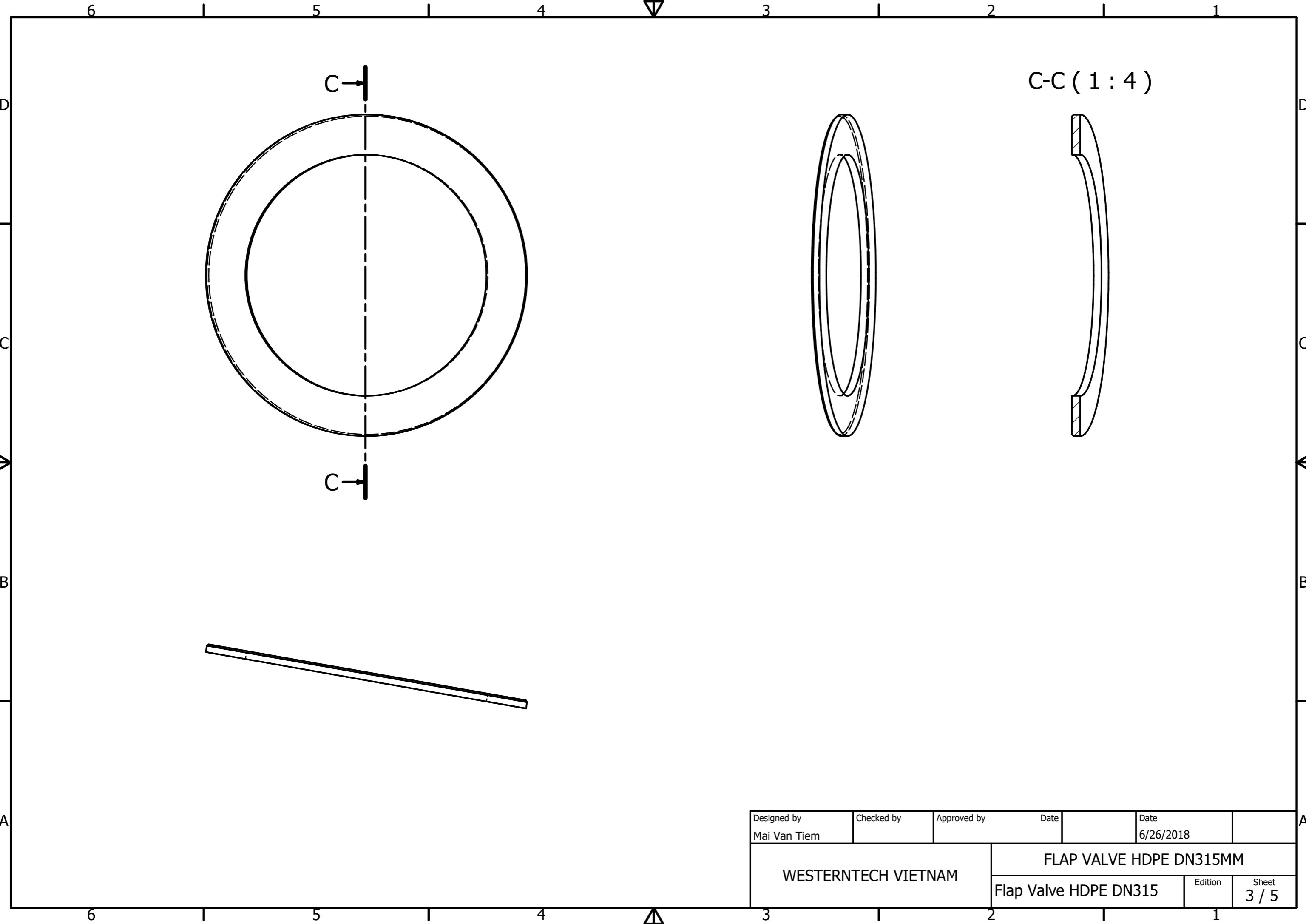
PARTS LIST			
ITEM	QTY	PART NUMBER	DESCRIPTION
1	1	Ong than van HDPE DN300	
2	1	Mat bich than van HDPE	
3	1	Zoang cao su EPDM	
4	1	Mat van HDPE	
5	1	Neo mat van	
6	1	Tay do mat van HDPE	
7	1	Giang tay do mat van HDPE	
8	1	Neo than van	
9	1	Giang neo than van HDPE	

Designed by Mai Van Tiem	Checked by	Approved by	Date	Date 6/26/2018
-----------------------------	------------	-------------	------	-------------------

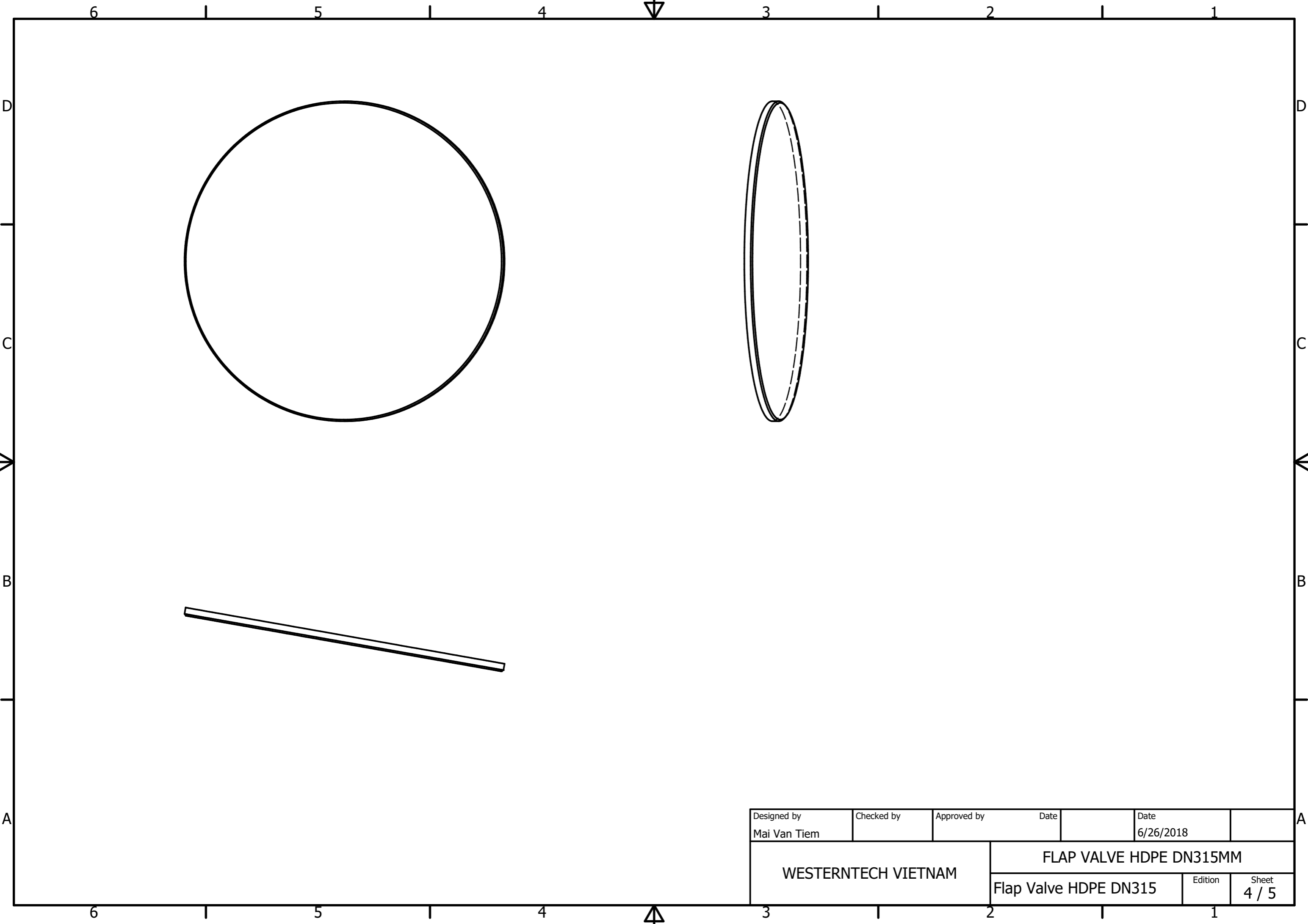
WESTERNTECH VIETNAM	FLAP VALVE HDPE DN315MM		
	Flap Valve HDPE DN315	Edition	Sheet 1 / 5



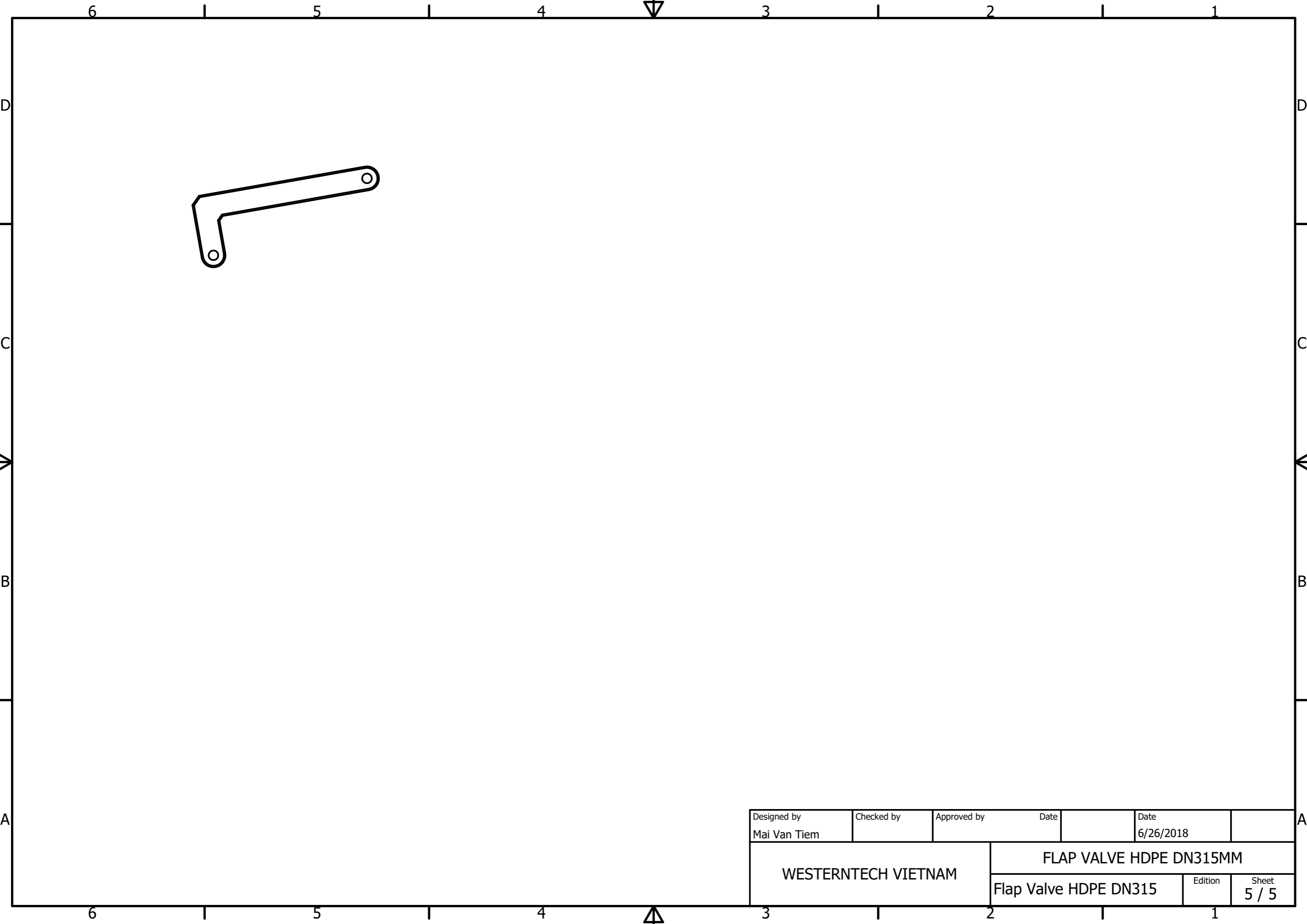
Designed by Mai Van Tiem	Checked by	Approved by	Date	Date 6/26/2018
WESTERNTech VIETNAM		FLAP VALVE HDPE DN315MM		
		Flap Valve HDPE DN315	Edition	Sheet 2 / 5



Designed by Mai Van Tiem	Checked by	Approved by	Date	Date 6/26/2018	
WESTERNTech VIETNAM			FLAP VALVE HDPE DN315MM		
			Flap Valve HDPE DN315	Edition	Sheet 3 / 5



Designed by Mai Van Tiem	Checked by	Approved by	Date 6/26/2018	Date
WESTERNTech VIETNAM		FLAP VALVE HDPE DN315MM		
Flap Valve HDPE DN315		Edition	Sheet 4 / 5	



Designed by Mai Van Tiem	Checked by	Approved by	Date	Date 6/26/2018	
WESTERNTech VIETNAM			FLAP VALVE HDPE DN315MM		
			Flap Valve HDPE DN315	Edition	Sheet 5 / 5