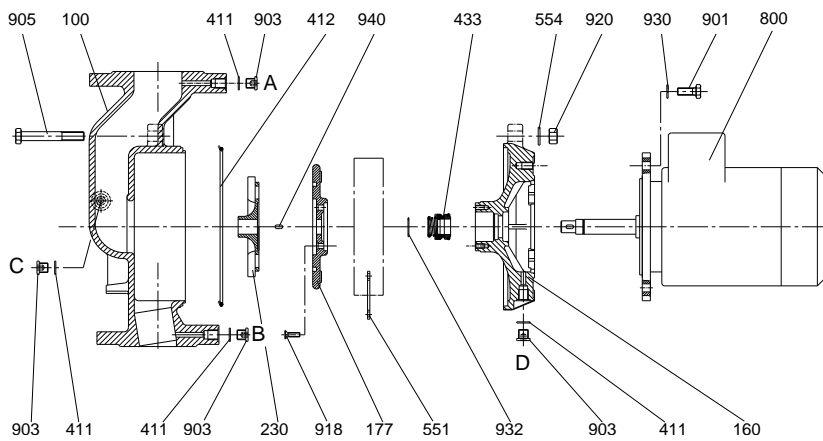
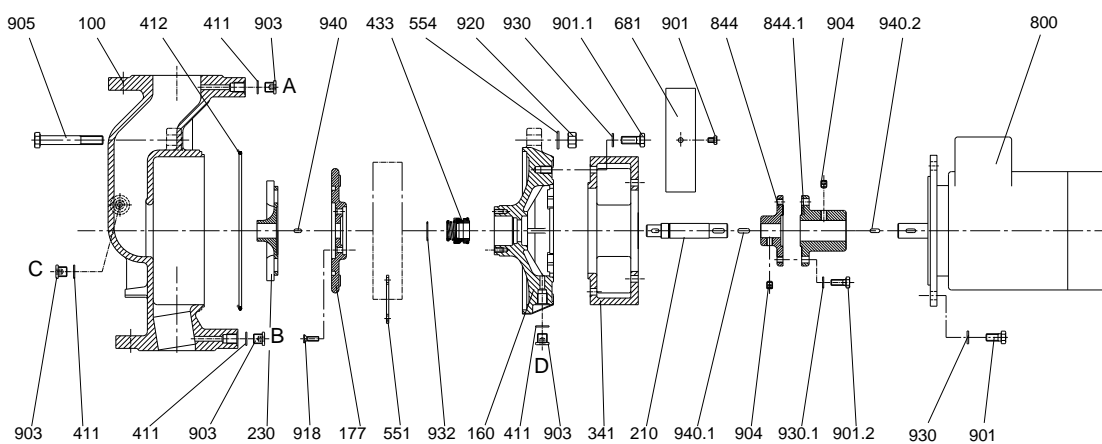


**LUB 40 · LUB 65 · LUB 80**



**LUBL 40 · LUBL 65 · LUBL 80**



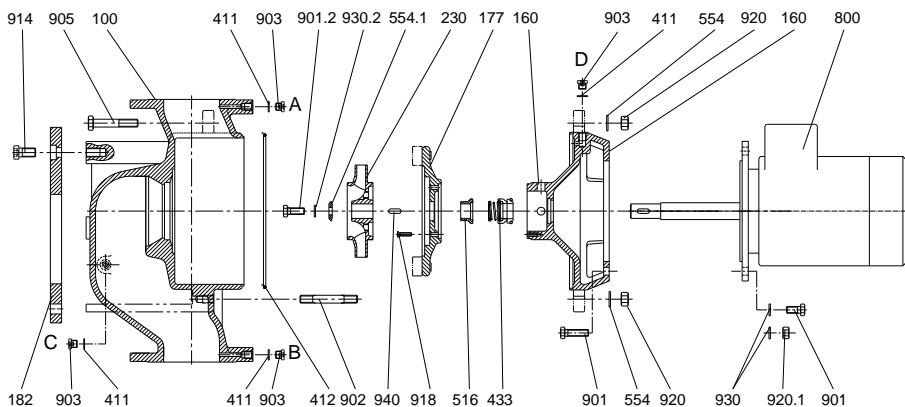
Part no.	Designation	Part no.	Designation
100	casing	800	motor
160	cover	844.1	coupling half
177	sealing chamber	901/.1+.2	hexagon screw
210	shaft	903	screwed plug
230	impeller	904.1	hexagon socket set screw
341	lantern	905	tie bolt
411	joint ring	918	slotted countersunk head screw
412	o-ring	920/.1/.2	nut
433	mechanical seal	930/.1-.2	tooth lock washer
551	disc spacer	932	circlip
554	washer	940/.1+.2	key
681	coupling guard		

- A: Screwed plug G1/4 for vent and manometer connection
- B: Screwed plug G1/4 for drain
- C: Screwed plug G1/4 for manometer connection
- D: Screwed plug G1/4 for vent

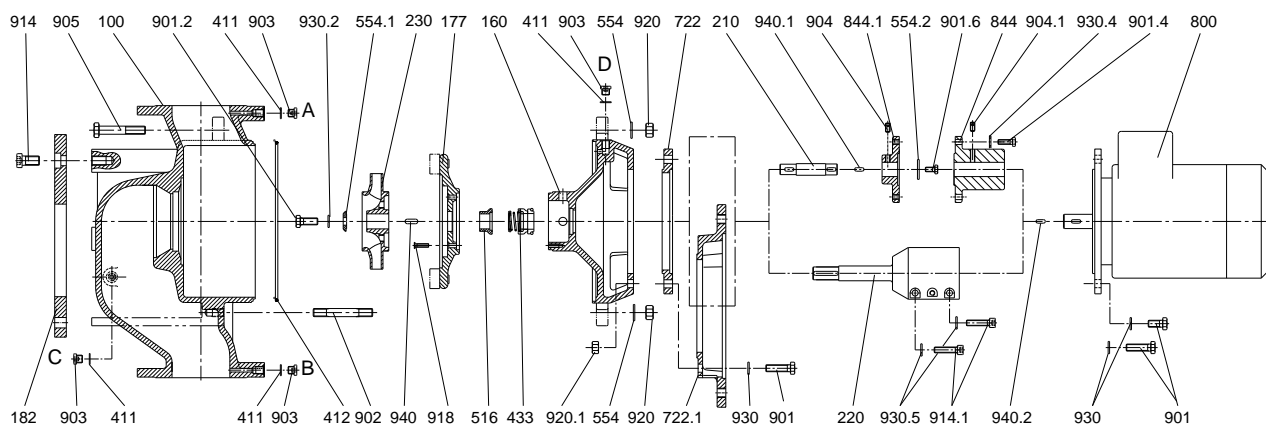
When ordering spare parts, please indicate serial no., type no. and parts no. by all means.

When ordering spare parts, please indicate serial no., type no. and parts no. by all means.

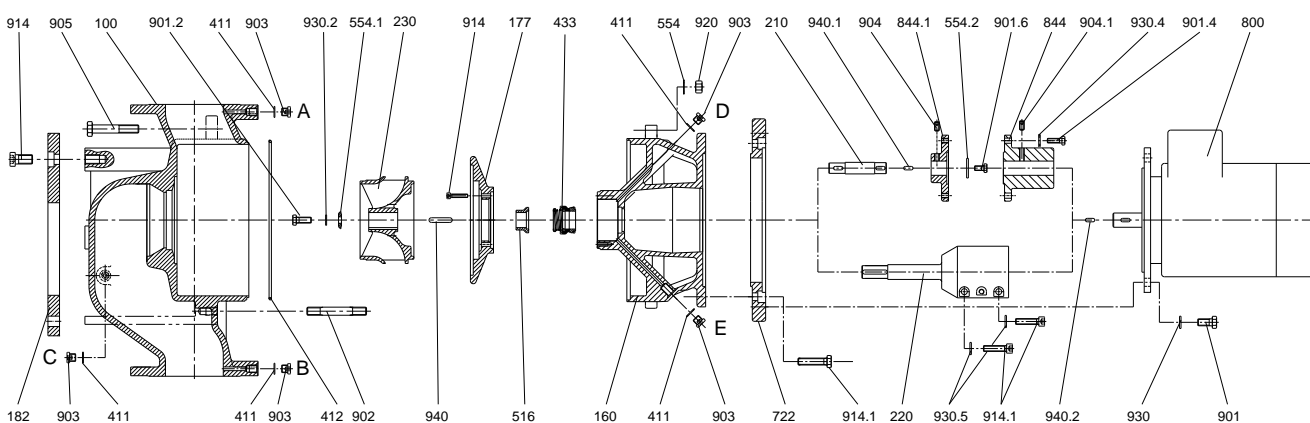
**LUB 100 E+G**



**LUBL 100 E+G**



**LUBS 100 P+M**



**Part no. Designation**

100	casing
160	cover
177	sealing chamber
182	foot
210	shaft
220	stub shaft
230	impeller
411	joint ring
412	o-ring
433	mechanical seal
516	shaft sleeve for mechanical seal
554/1.2	washer
722/1*	intermediate flange

**Part no. Designation**

800	motor
844/1	coupling half
901/1-6	hexagon screw
902	stud
903	screwed plug
904/1	hexagon socket set screw
905	tie bolt
914/1	hexagon socket head cap screw
918	slotted countersunk head screw
920/1.2	nut
930/1-5	tooth lock washer
940/1+2	key

- A: Screwed plug G1/4 for vent and manometer connection
- B: Screwed plug G1/4 for drain
- C: Screwed plug G1/4 for manometer connection
- D: Screwed plug G1/4 for vent

When ordering spare parts, please indicate serial no., type no. and parts no. by all means.

\* LUBS from 11,0 kW

When ordering spare parts, please indicate serial no., type no. and parts no. by all means.