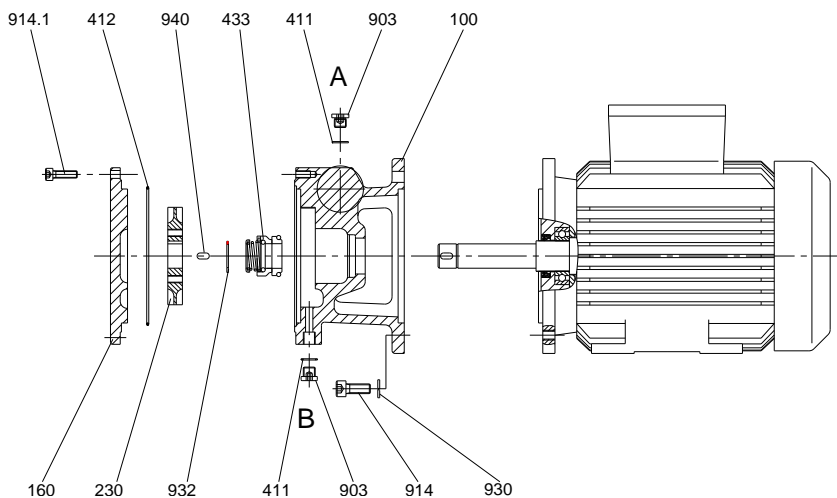
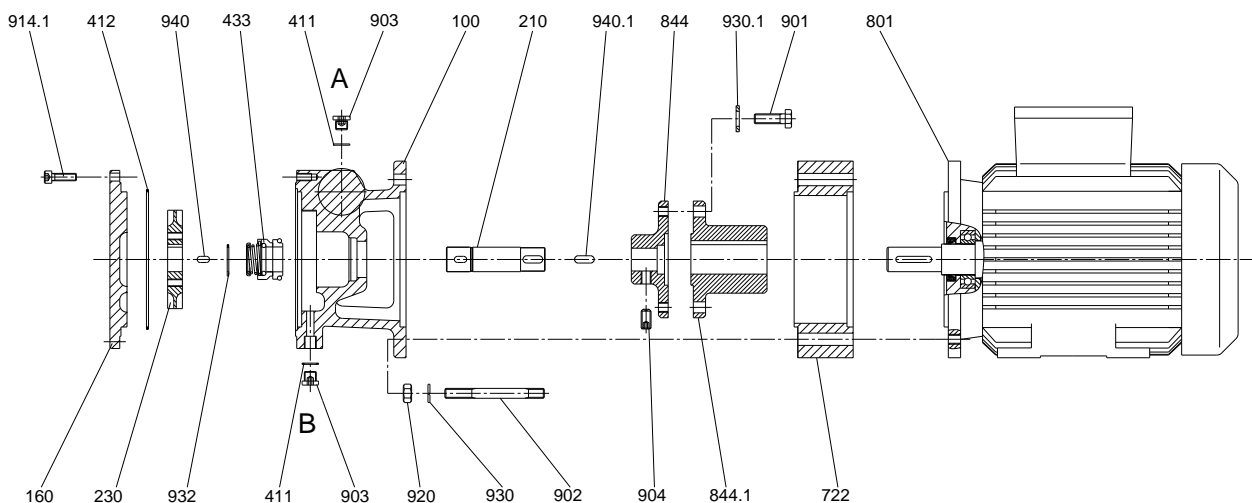


**PBU 201 E10**



**PBUL 201 E10**



A: Screwed plug G<sup>1</sup>/<sub>8</sub> for vent and manometer connection  
 B: Screwed plug G<sup>1</sup>/<sub>8</sub> for drain

part no.	designation	part no.	designation	part no.	designation
100	casing	507	deflector	904	hexagon socket set screw
160	cover	722	intermediate flange	914/.1	hexagon socket head cap screw
210	shaft	801	motor	920	nut
230	impeller	844/.1	disc type coupling	930/.1	tooth lock washer
411	joint ring	901	hexagon screw	932	circlip
412	o-ring	902	stud	940/.1	key
433	mechanical seal	903	screwed plug		

When ordering spare parts, please indicate serial no., type no. and parts no.