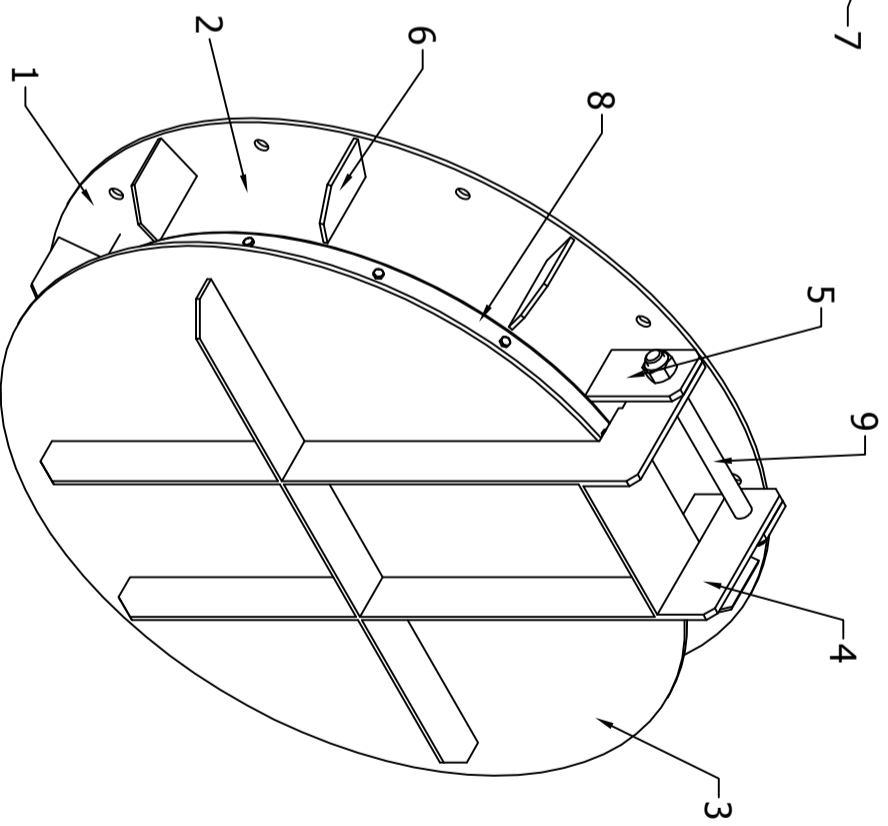
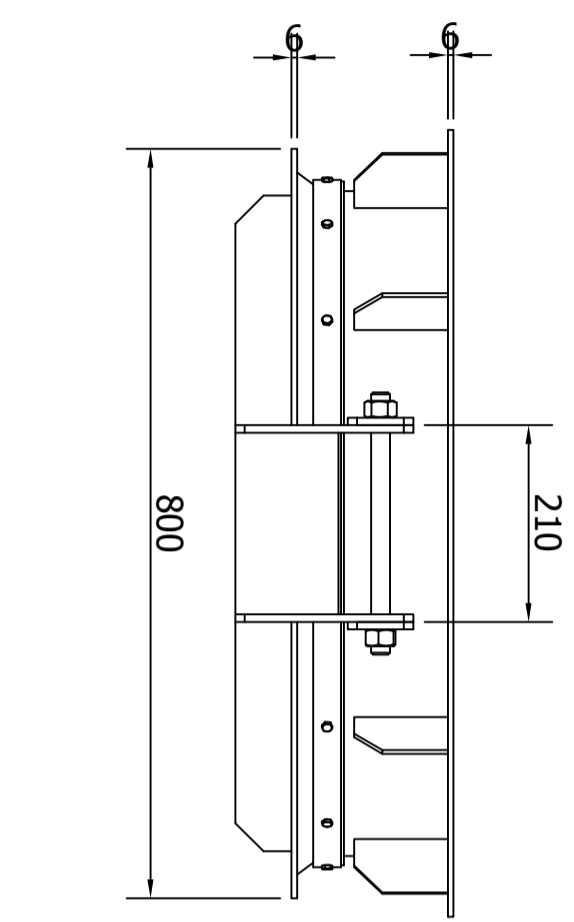
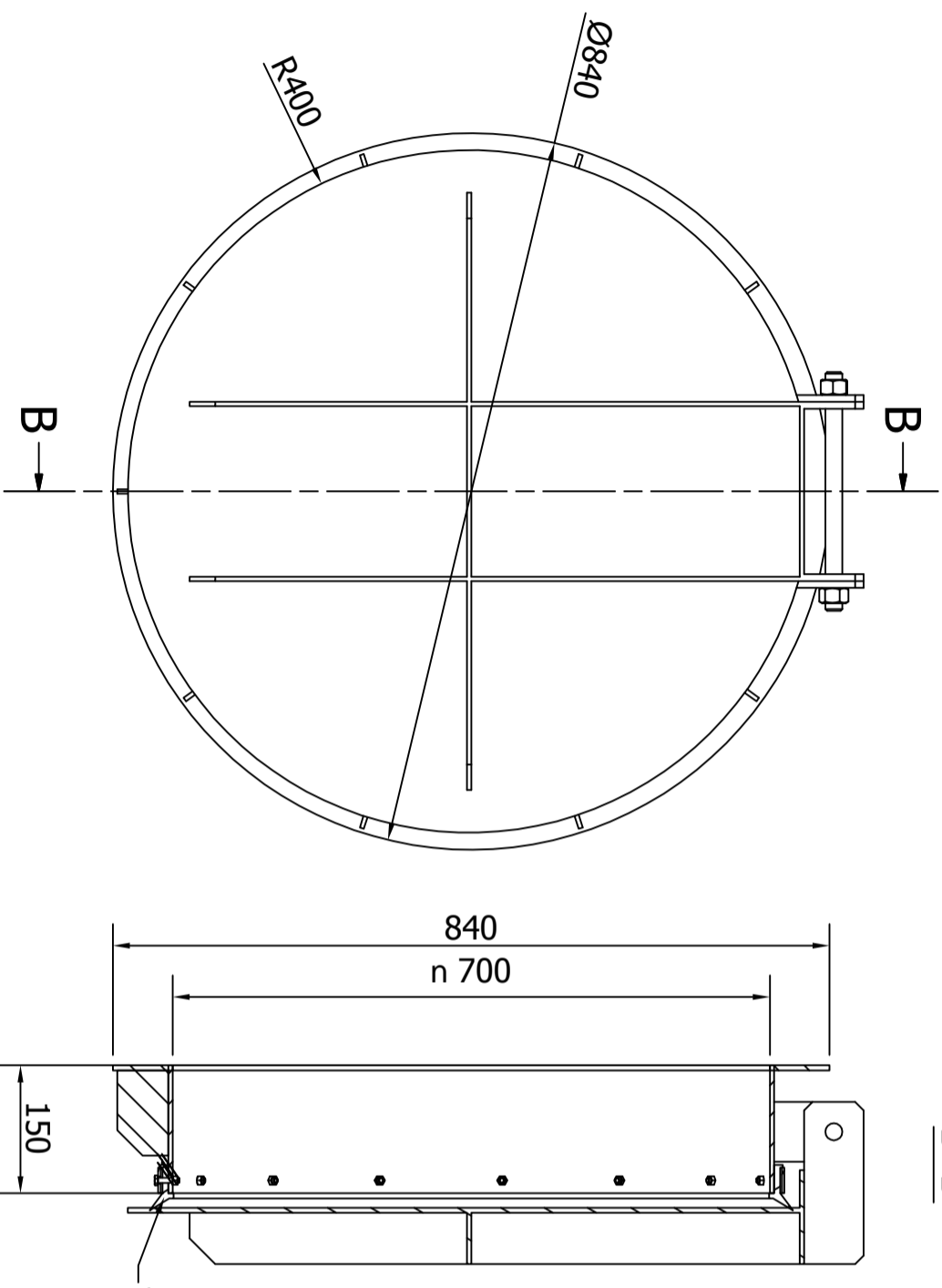


10 9 8 7 6 5 4 3 2 1

**B-B**



EDIT			
1			
2			
NO	DATE	CONTENT	SIGN
NOTES			

INVESTOR:

PROJECT:

CONTRACTOR:

WESTERNTTECH VIETNAM JSC  
 ADD: VUONG THUA VU, THANH XUAN, HANOI

DIRECTOR

**MAI VAN TIEM**  
 CHIEF DESIGNER

**MAI VAN TIEM**  
 DESIGNER

**NGUYEN HUY HOANG**  
 CHECKER

DRAWING TITLE

Document No:

SCALE:

DATE:

DRW NO:

A B C D E F